



**apparecchio di illuminazione a sospensione per interni.  
realizzato in estruso in alluminio ossidato 30x32mm/1.2x1.3" calandrato con luce interna.  
modelli:**

**c2 anelli diametro Ø1060mm/41.7" con due cavi di sospensione in acciaio inox  
3000mm/118.1" e un cavo di alimentazione 2x0,75mm<sup>2</sup>,**

**c2 anelli diametro Ø2060mm/81.1" con quattro cavi di sospensione in acciaio inox  
3000mm/118.1" e due cavi di alimentazione 2x0,75mm<sup>2</sup>, completi di diffusore in  
policarbonato satinato.**

**cablato con sorgente elettronica lineare 2700K Ra95 87W e 168W.**

**alimentatore 120-277V 50-60Hz escluso, da installare remoto.**

**finiture: argento hacca, ottone ap-s e marrone mn.**

**damp location rated suspension light fitting for indoor use.**

**made of a 30x32mm/1.2x1.3" extruded oxidised aluminium, calendered with internal  
light.**

**versions:**

**c2 anelli diameter Ø1060mm/41.7" with two 3000mm/118.1" suspension cables made of  
stainless steel and one 2x0,75mm<sup>2</sup> power cable,**

**c2 anelli diameter Ø2060mm/81.1" with four pieces of 3000mm/118.1" suspension  
cables made of stainless steel and two 2x0,75mm<sup>2</sup> power cable, equipped with frosted  
polycarbonate diffuser.**

**wired with 2700K Ra95 linear led source 87W and 168W.**

**120-277V 50-60Hz power supply not included, to be installed remotely.**

**finishes: argento hacca, ottone ap-s and marrone mn.**



**c2 anelli 1060**

24Vdc



damp

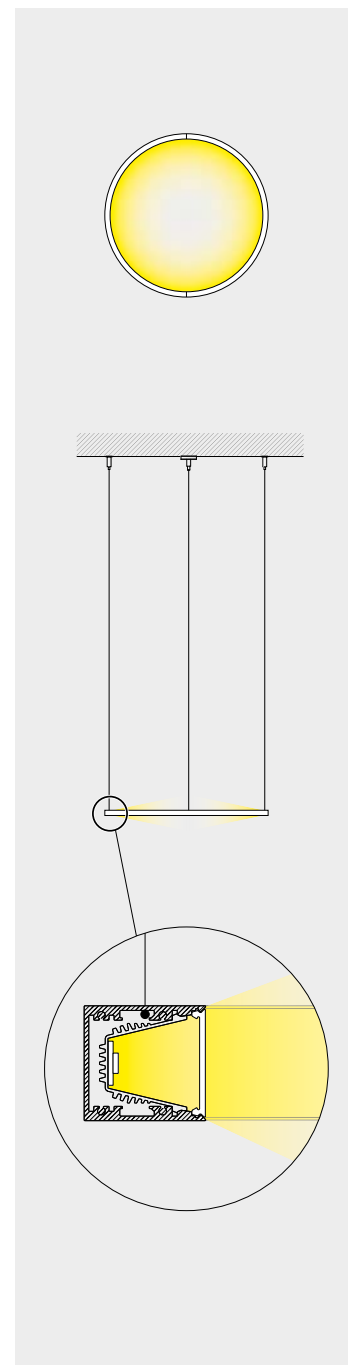
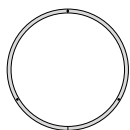
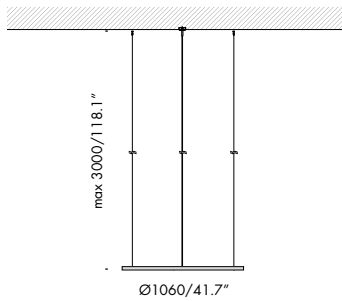


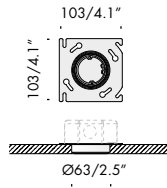
**Vb8.616.01.27** argento hacca 2700K 87W Ø1060mm 5kg  
41.7" 11.2lb

**Vb8.616.02.27** ottone ap-s 2700K 87W Ø1060mm 5kg  
41.7" 11.2lb

**Vb8.616.03.27** marrone mn 2700K 87W Ø1060mm 5kg  
41.7" 11.2lb

Ra	R9	ies tm-30		sdc	V <sub>f</sub>	lm/m	W/m	lm/W	
95	90	Rf 90	Rg 98	step 2	24	2400	26	92	<b>A+</b>
V3000	11	Ta25 °C		vita media · average life		50000 h	L80	B10	





Driver location by electrician

**copertura per outlet box. cover for outletbox**  

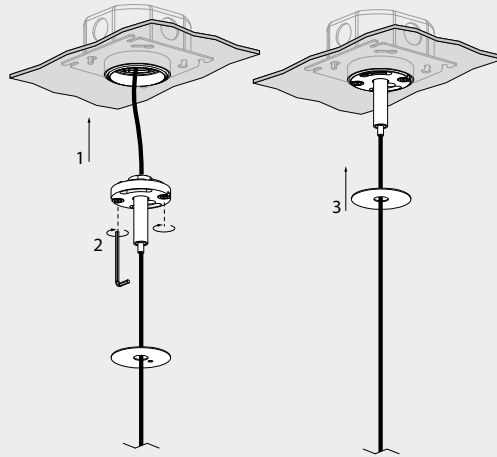
**Vb9.000.01.u** scomparsa totale cartongesso  
fully concealed plasterboard 0,3kg  
0.7lb

**alimentatori. power supplies.** **120V** **damp**  

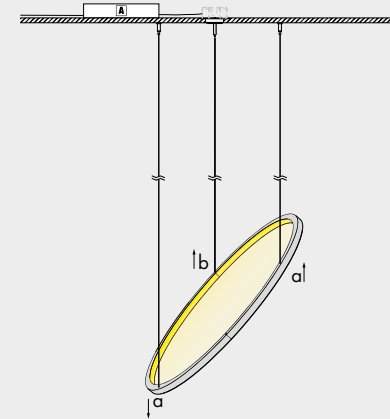
24V dimm. 0-10V 96W

or ELV, must be specified





è possibile modificare l'inclinazione dell'apparecchio di illuminazione regolando la lunghezza dei cavi di sospensione a e di alimentazione b.  
 it is possible to change the angle of the light fitting adjusting the length of the a suspension cables and the b power cable.



Driver location by electrician

**DARK**  
TOOLS

**SHOP  
DRAWING  
REVIEW**

Review of this material is for general conformance with design concept and arrangement of the project. This review shall not mean approval of the detail design inherent in the shop drawings, responsibility for which shall remain with the Contractor and such review shall not relieve the Contractor of his responsibility for errors or omissions in the shop drawings or of his responsibility for meeting all requirements of the Contract Documents. Any action noted by this review is subject to compliance with the plans and specification requirements. The Contractor is responsible for dimensions to be confirmed and correlated at the job site, for information that pertains solely to fabrication processes, quantities or to techniques of construction and installation and for coordination with related work.

- REVIEWED note
- REVIEWED AS NOTED
- REVISE AND RESUBMIT

REVIEWED BY (PRINT NAME)

SIGNATURE

DATE

a: cavo di sospensione in acciaio inox  
 stainless steel suspension cable  
 b: cavo di alimentazione 2x0,75mm<sup>2</sup> trasparente  
 power cable 2x0,75mm<sup>2</sup> trasparent

**DARK**  
TOOLS  
architectural lighting distributor